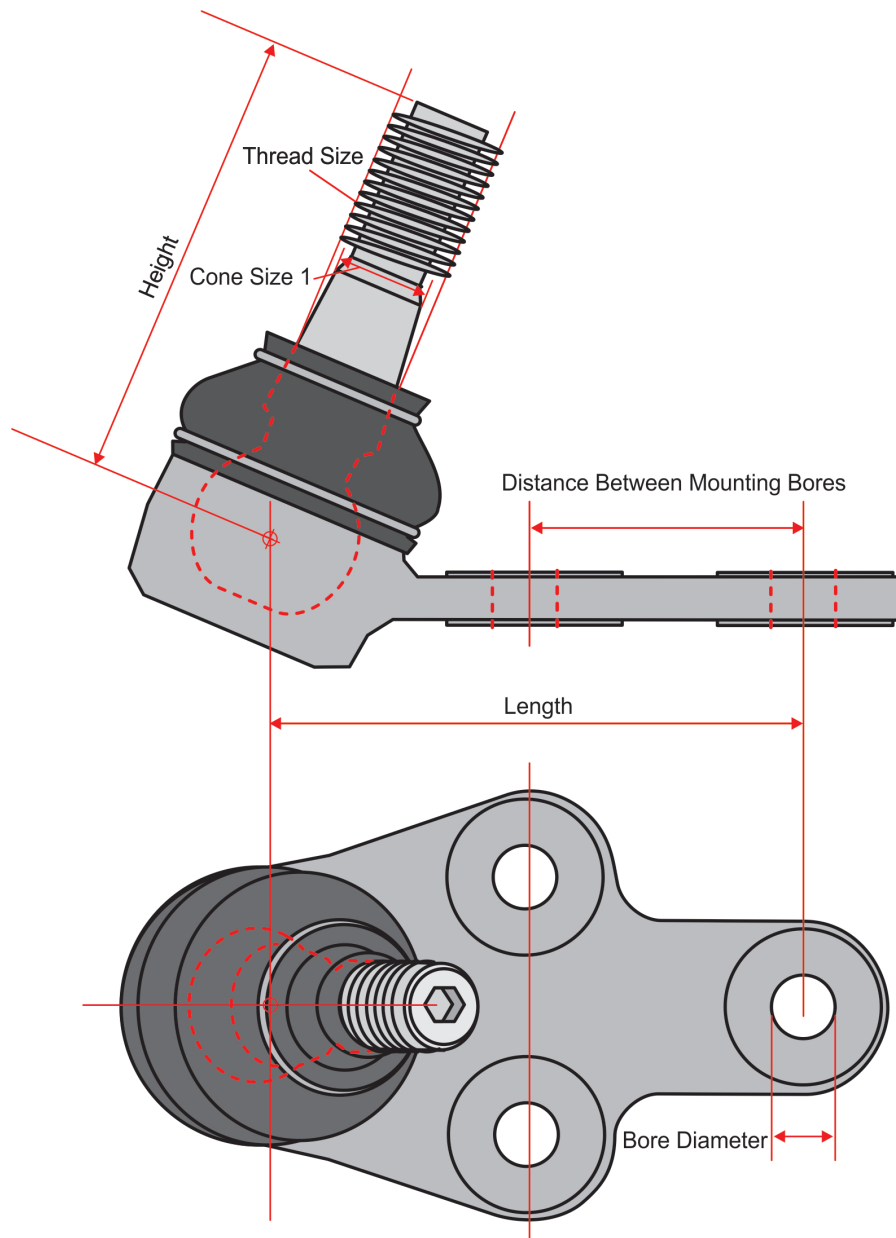


HOW OUR PARTS ARE MEASURED

BALL JOINTS (BOLTED)



CONTACT

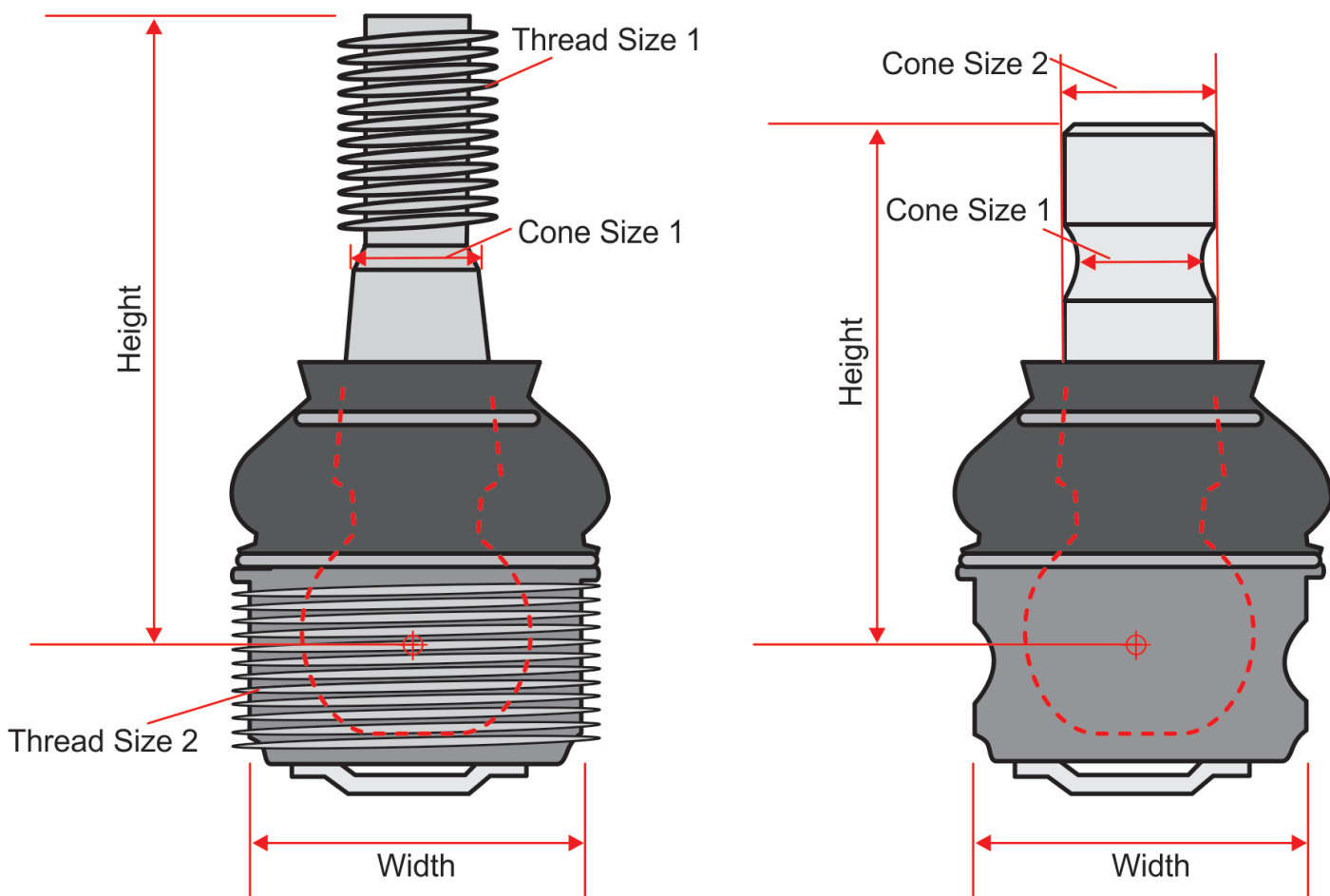
01302 727 312
info@nakata.uk

CONNECT

   /nakatauk
nakata.uk

NAKATA[®]
COUNT ON US

HOW OUR PARTS ARE MEASURED *BALL JOINTS (PRESSED)*



CONTACT

01302 727 312
info@nakata.uk

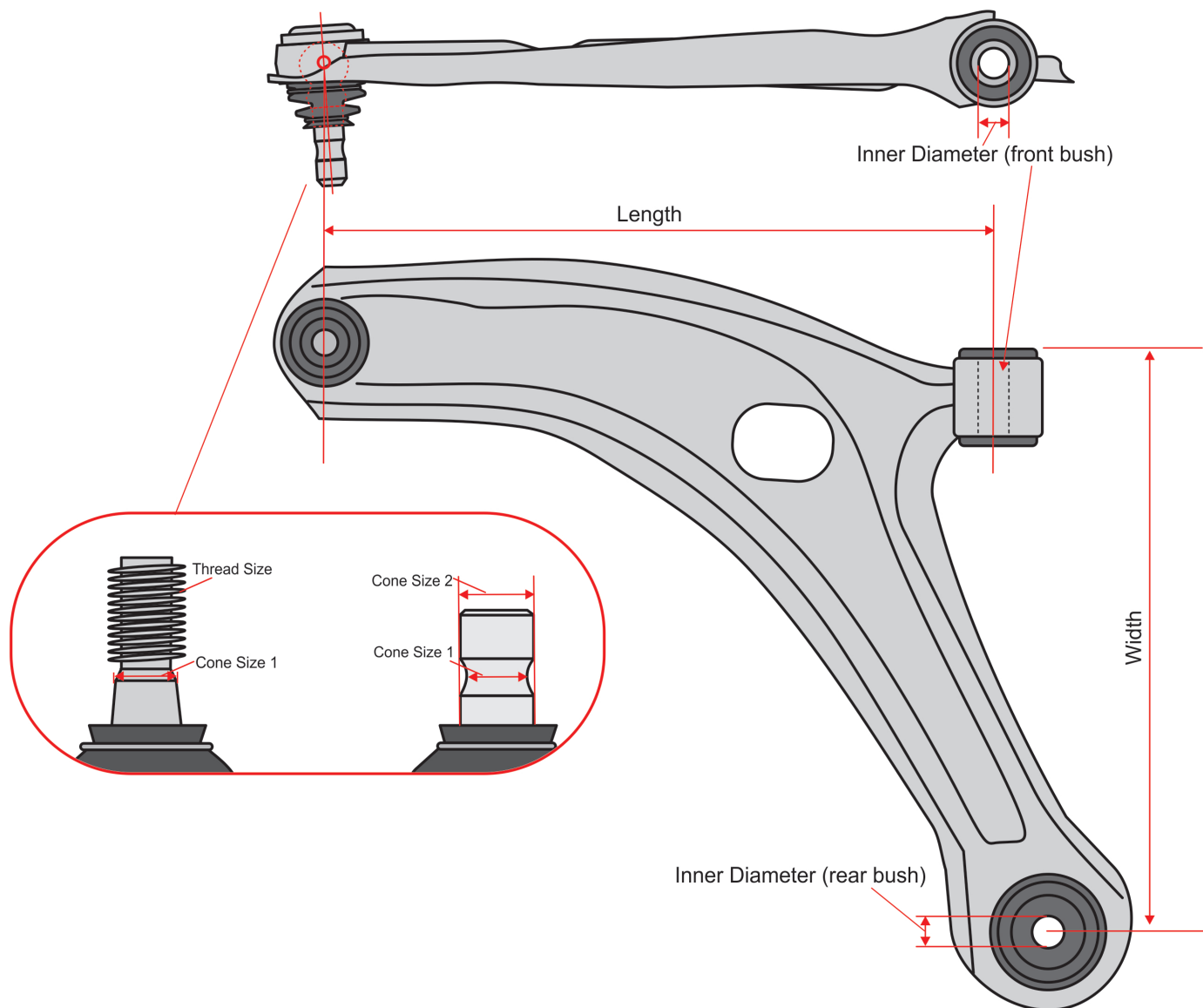
CONNECT

[in](#) [ig](#) [fb](#) /nakatauk
nakata.uk

NAKATA[®]
COUNT ON US

HOW OUR PARTS ARE MEASURED

CONTROL ARMS (L-SHAPE)



CONTACT

01302 727 312
info@nakata.uk

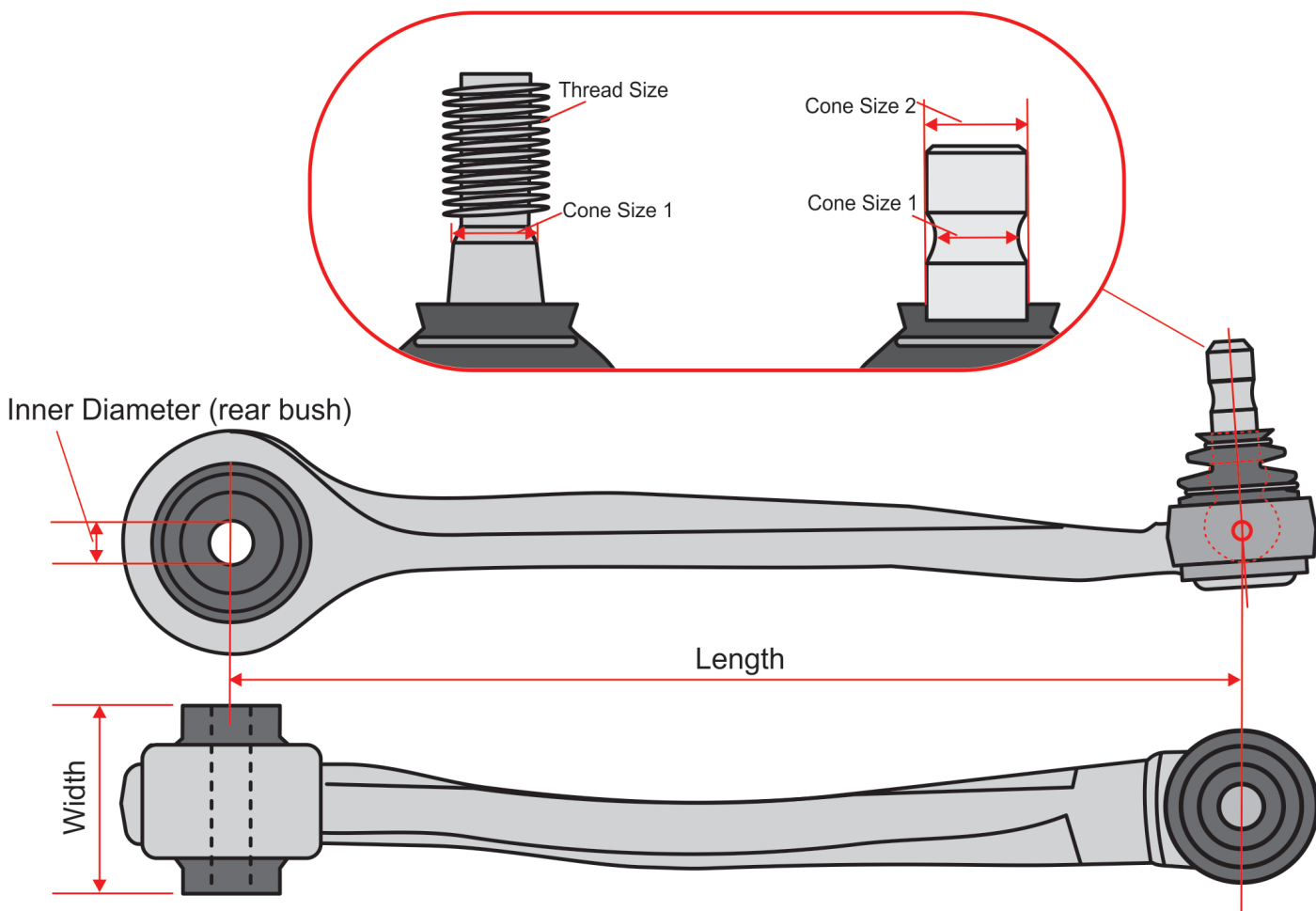
CONNECT

[in](#) [ig](#) [fb](#) /nakatauk
nakata.uk

NAKATA[®]
COUNT ON US

HOW OUR PARTS ARE MEASURED

CONTROL ARMS (STRAIGHT)



CONTACT

01302 727 312
info@nakata.uk

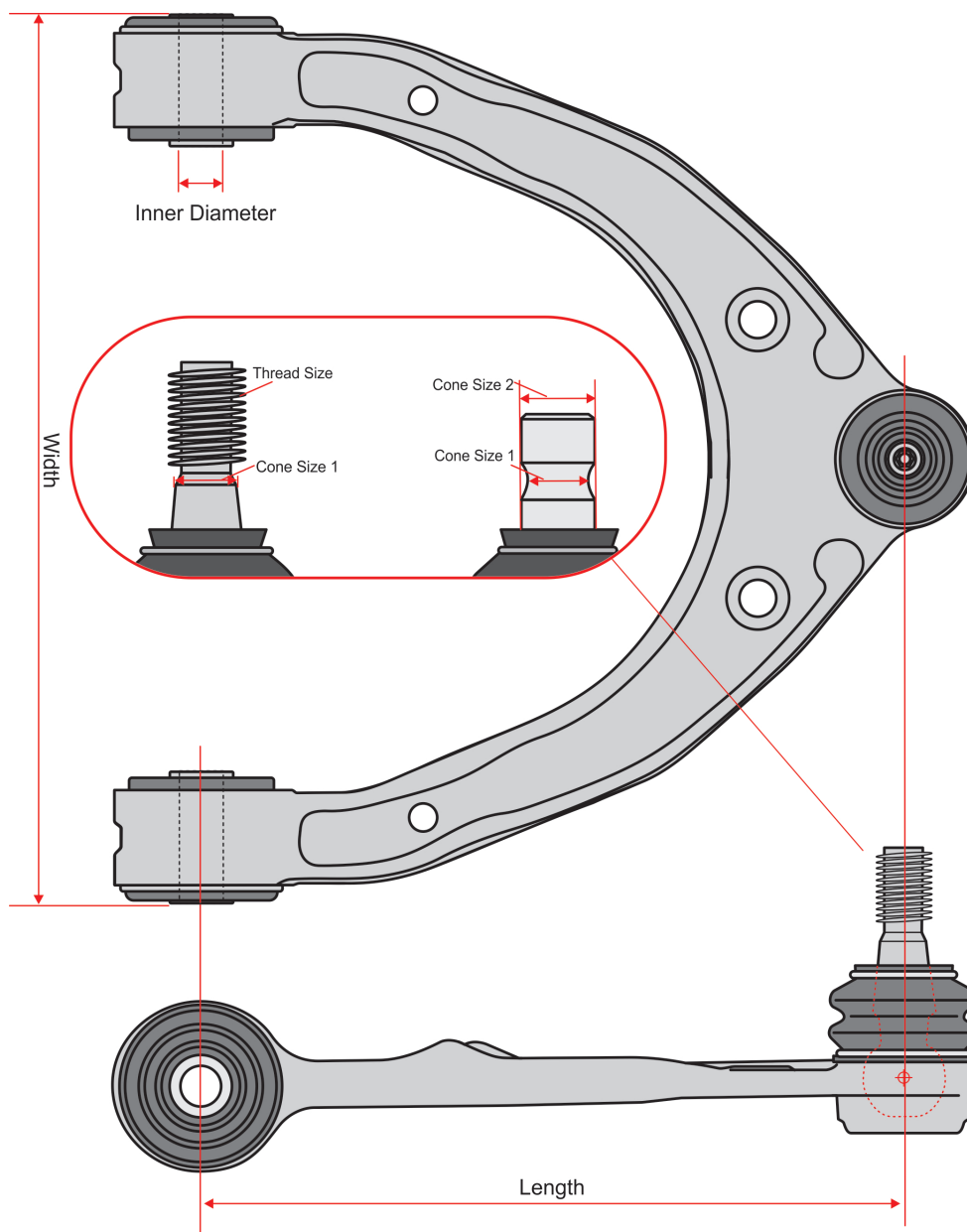
CONNECT

[in](#) [ig](#) [fb](#) /nakatauk
nakata.uk

NAKATA[®]
COUNT ON US

HOW OUR PARTS ARE MEASURED

CONTROL ARMS (WISHBONE)



CONTACT

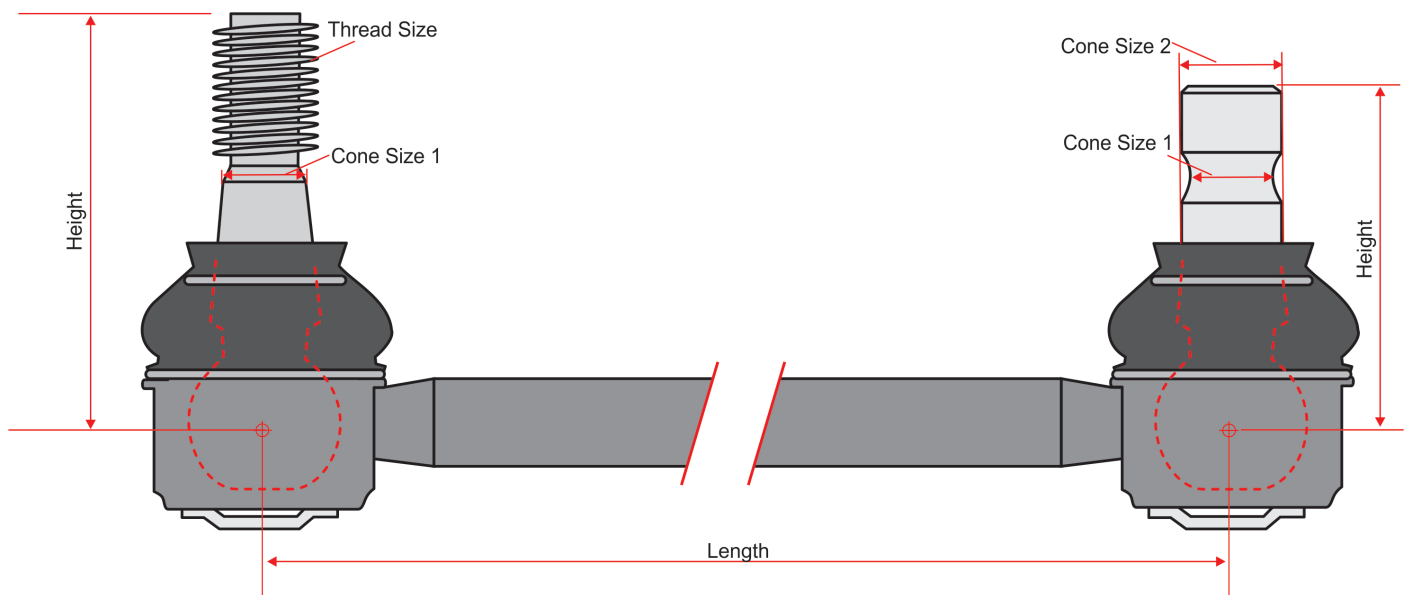
01302 727 312
info@nakata.uk

CONNECT

   /nakatauk
nakata.uk

NAKATA[®]
COUNT ON US

HOW OUR PARTS ARE MEASURED *STABILISER LINKS*



CONTACT

01302 727 312
info@nakata.uk

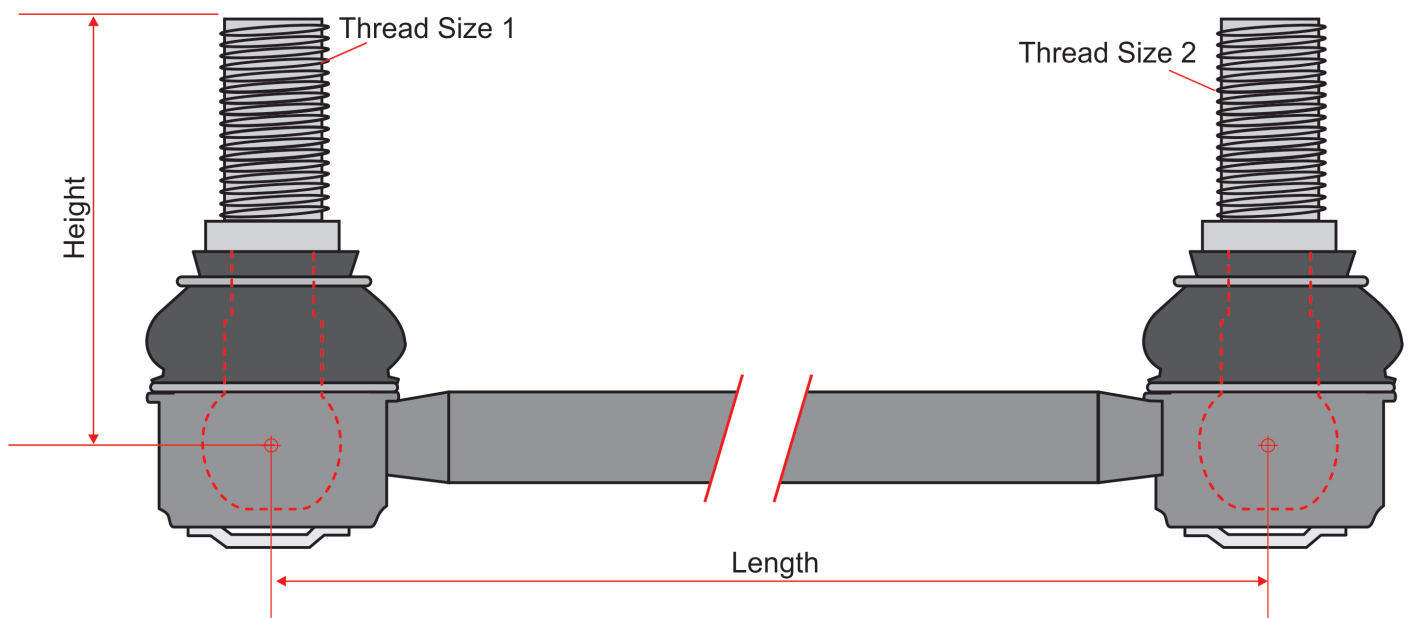
CONNECT

[in](#) [ig](#) [fb](#) /nakatauk
nakata.uk

NAKATA[®]
COUNT ON US

HOW OUR PARTS ARE MEASURED

STABILISER LINKS (THREAD/THREAD)



CONTACT

01302 727 312
info@nakata.uk

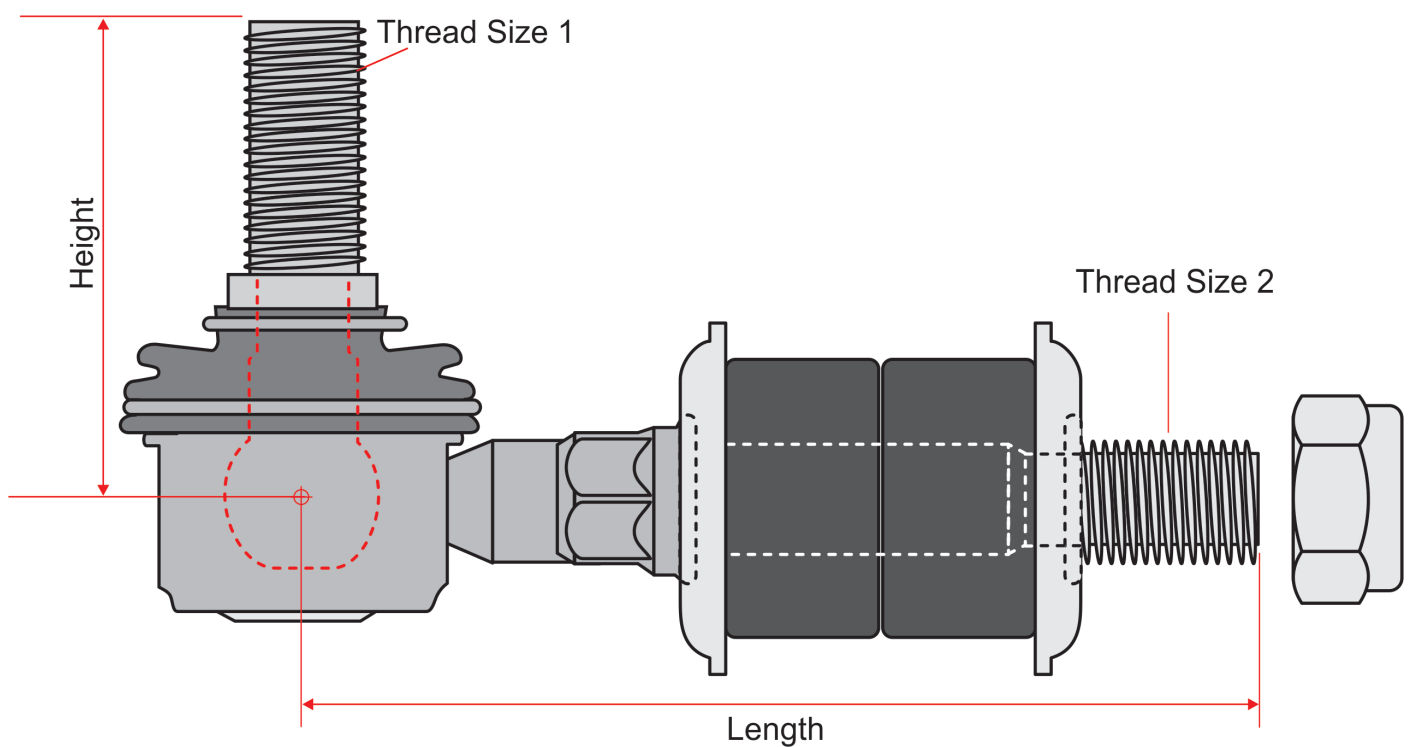
CONNECT

[in](#) [ig](#) [fb](#) /nakatauk
nakata.uk

NAKATA[®]
COUNT ON US

HOW OUR PARTS ARE MEASURED

STABILISER LINKS (THREAD/STRAIGHT)



CONTACT

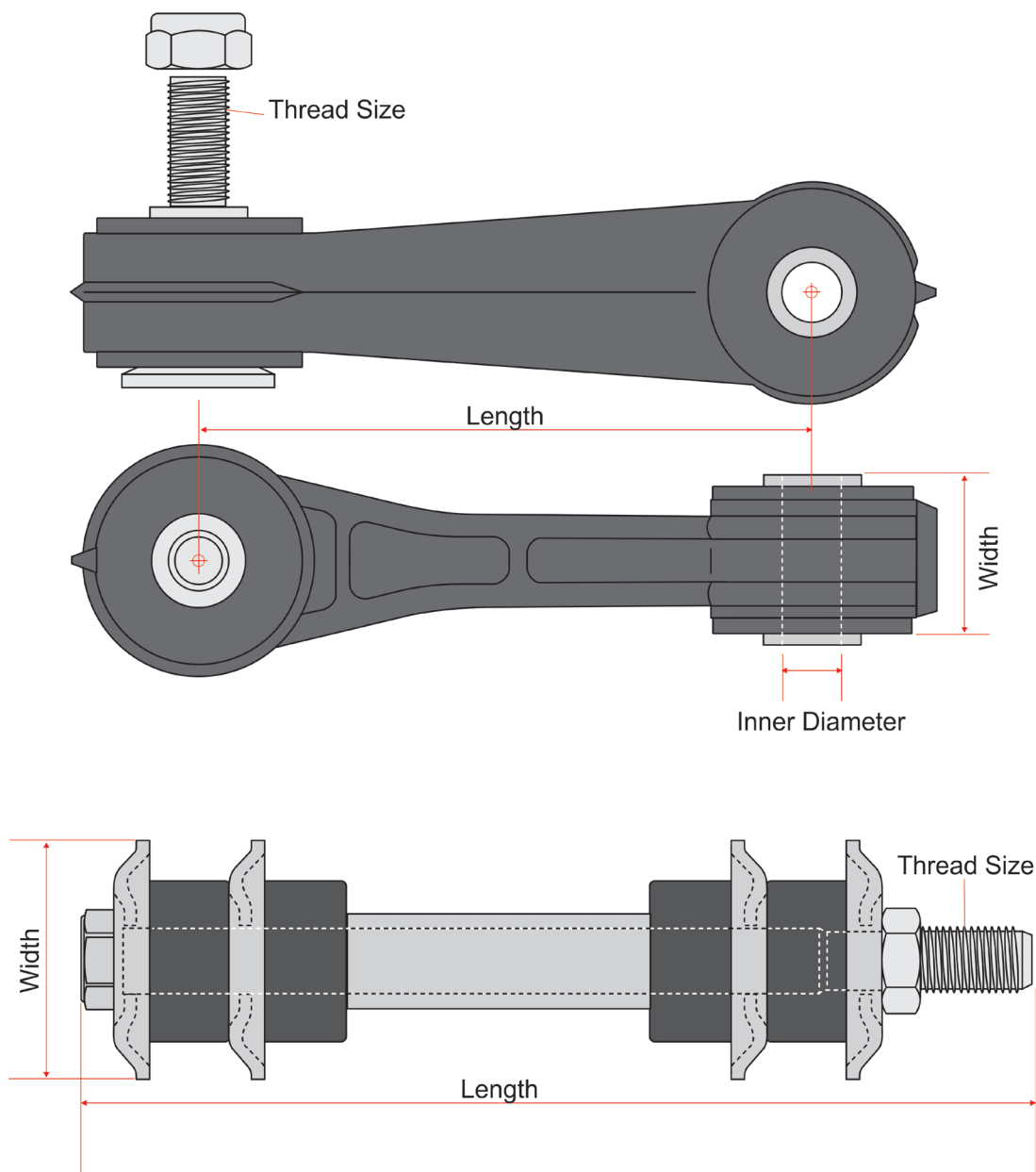
01302 727 312
info@nakata.uk

CONNECT

   /nakatauk
nakata.uk

NAKATA[®]
COUNT ON US

HOW OUR PARTS ARE MEASURED *STABILISER LINKS (THREAD/BUSH)*



CONTACT

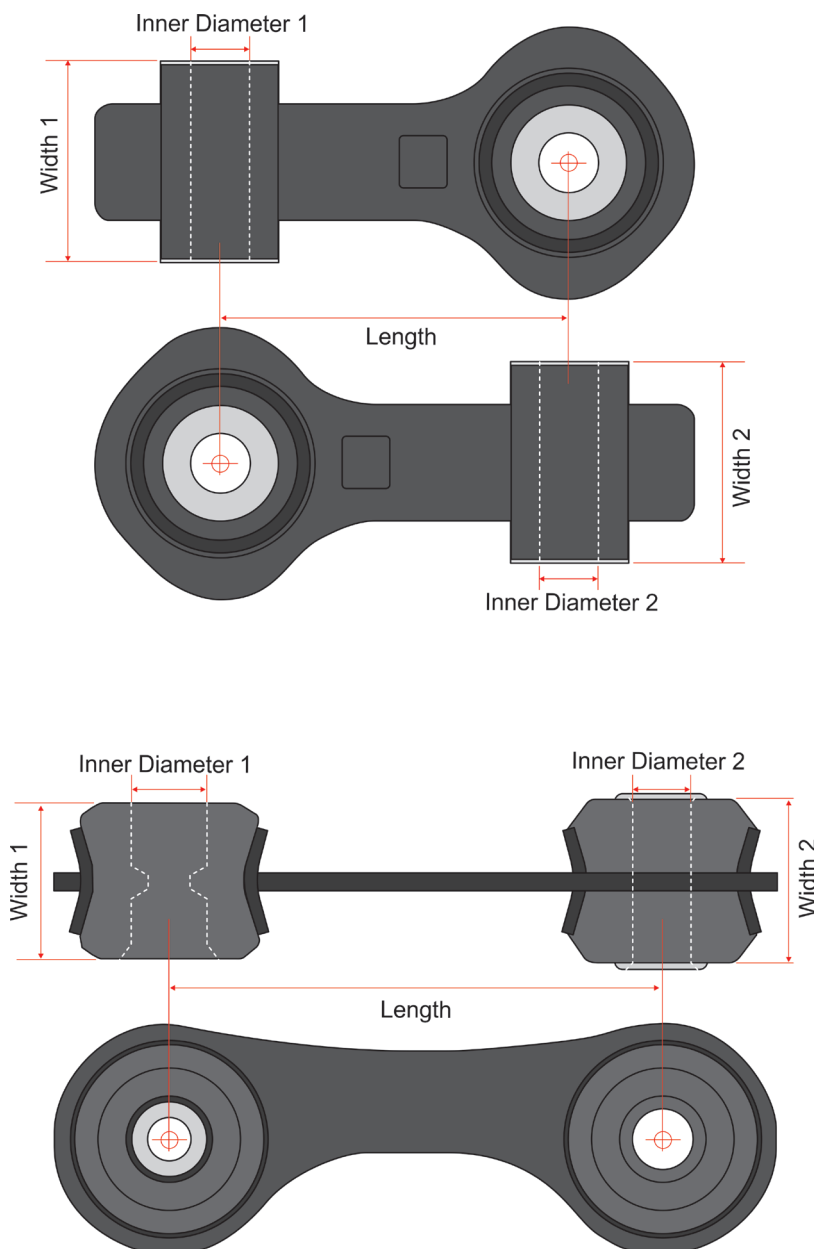
01302 727 312
info@nakata.uk

CONNECT

   /nakatauk
nakata.uk

NAKATA[®]
COUNT ON US

HOW OUR PARTS ARE MEASURED *STABILISER LINKS (BUSH/BUSH)*



CONTACT

01302 727 312
info@nakata.uk

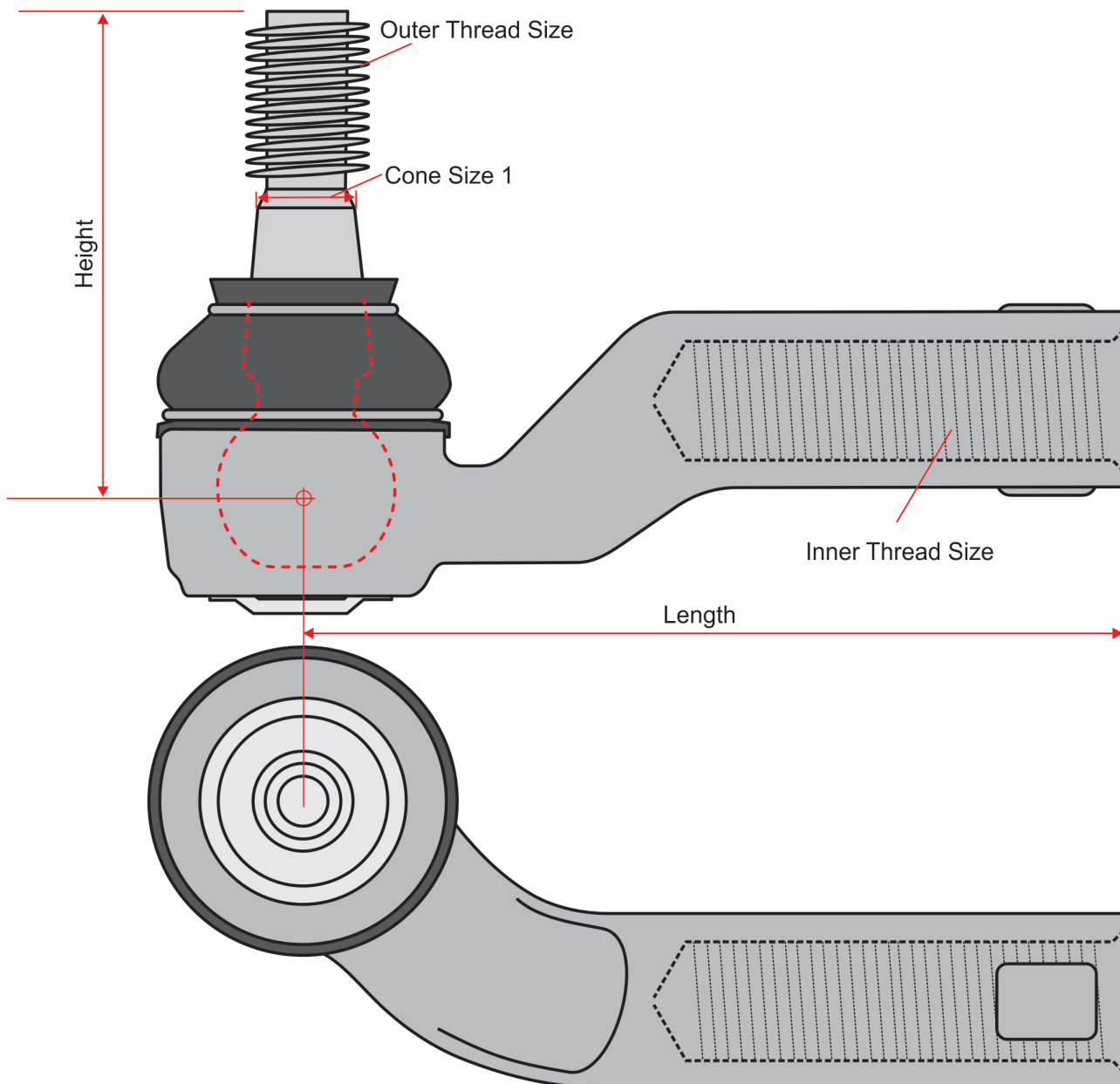
CONNECT

   /nakatauk
nakata.uk

NAKATA[®]
COUNT ON US

HOW OUR PARTS ARE MEASURED

TIE ROD ENDS



CONTACT

01302 727 312
info@nakata.uk

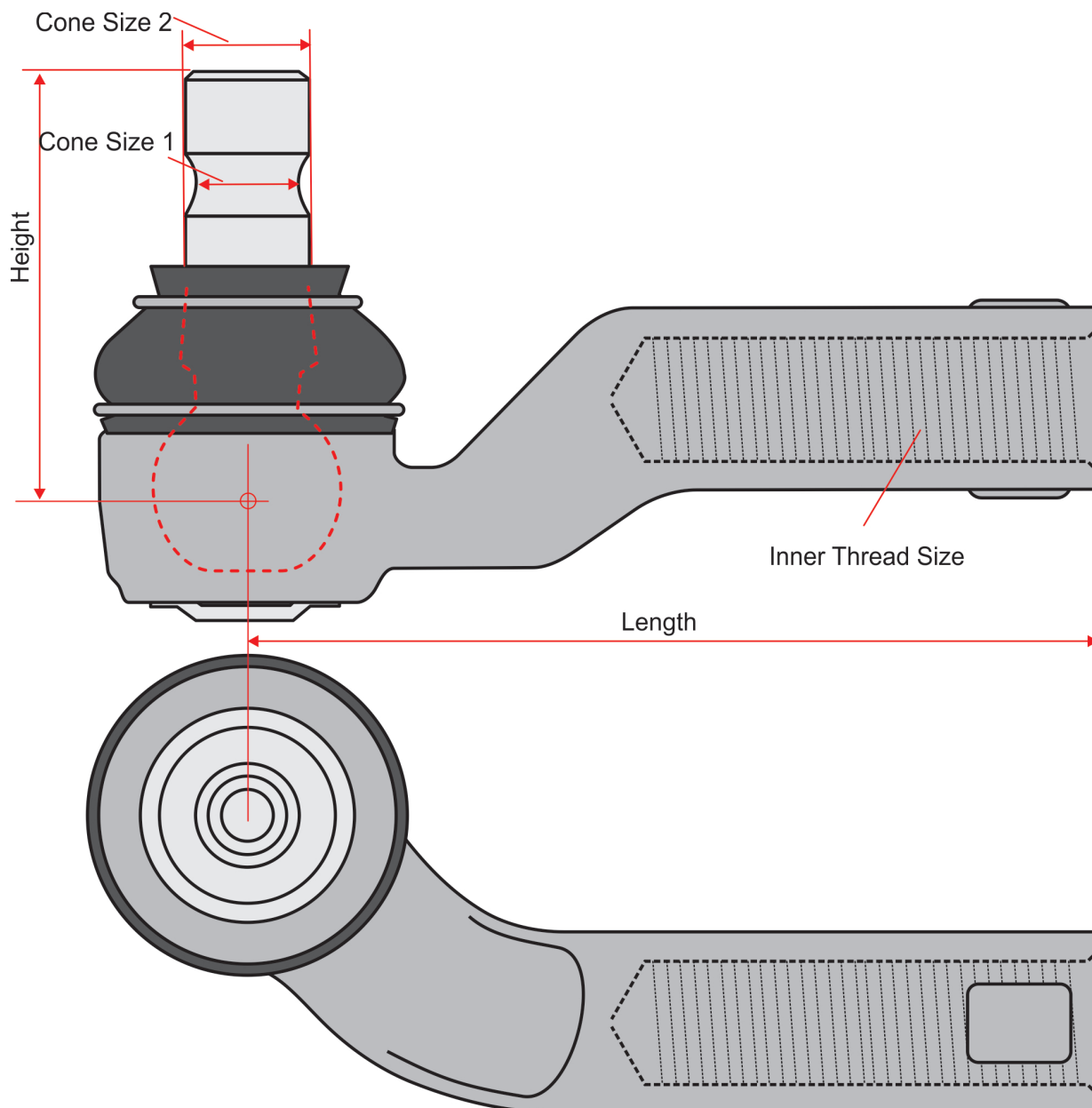
CONNECT

   /nakatauk
nakata.uk

NAKATA[®]
COUNT ON US

HOW OUR PARTS ARE MEASURED

TIE ROD ENDS (PIN)



CONTACT

01302 727 312
info@nakata.uk

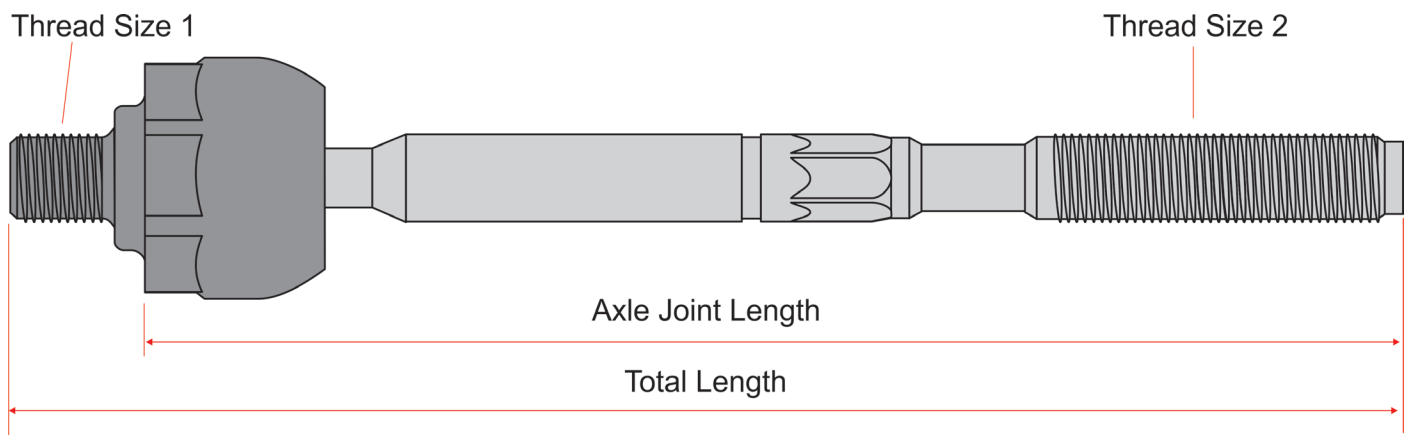
CONNECT

   /nakatauk
nakata.uk

NAKATA[®]
COUNT ON US

HOW OUR PARTS ARE MEASURED

INNER TIE RODS



CONTACT

01302 727 312
info@nakata.uk

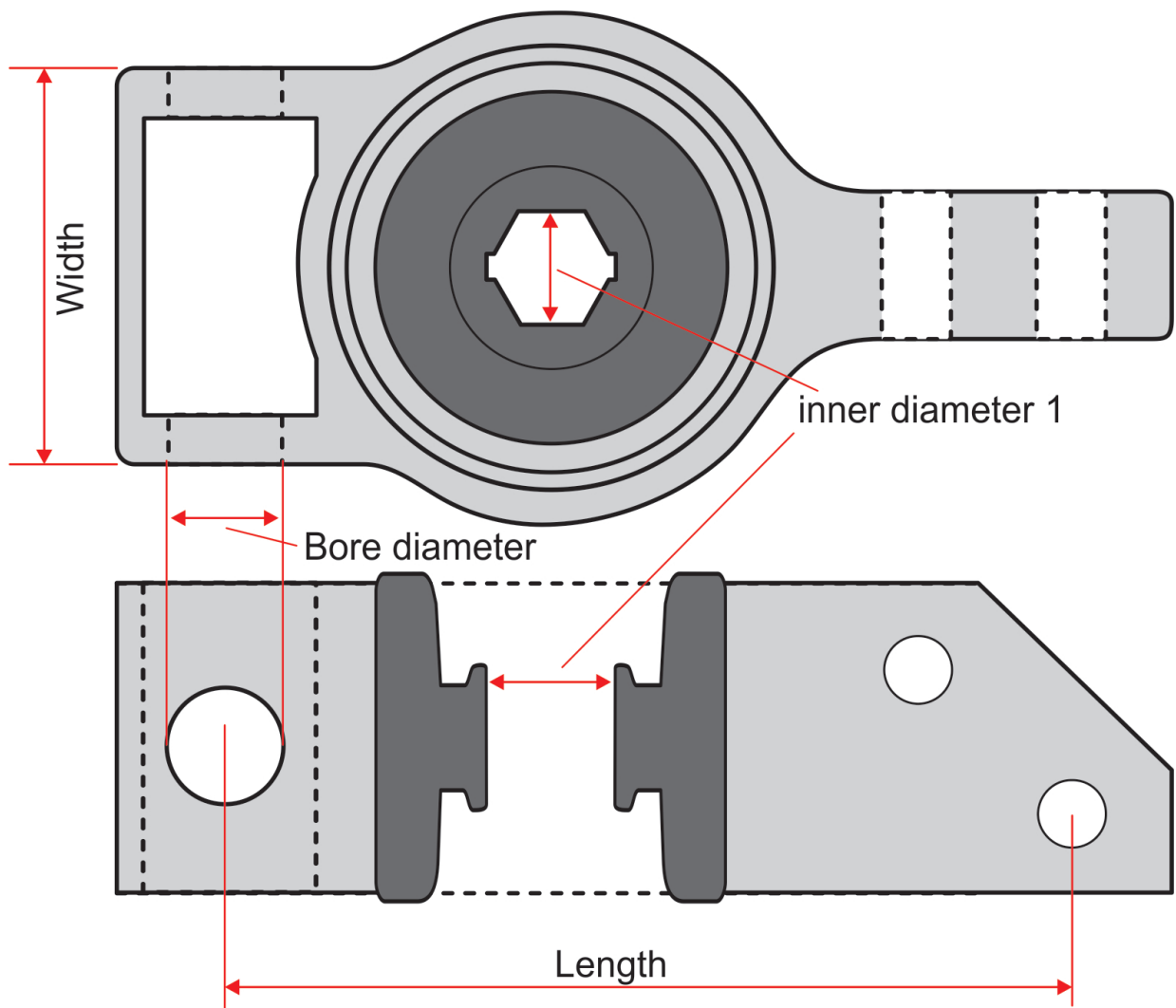
CONNECT

[in](#) [ig](#) [fb](#) /nakatauk
nakata.uk

NAKATA[®]
COUNT ON US

HOW OUR PARTS ARE MEASURED

CONTROL ARM BUSH (LARGE)



CONTACT

01302 727 312
info@nakata.uk

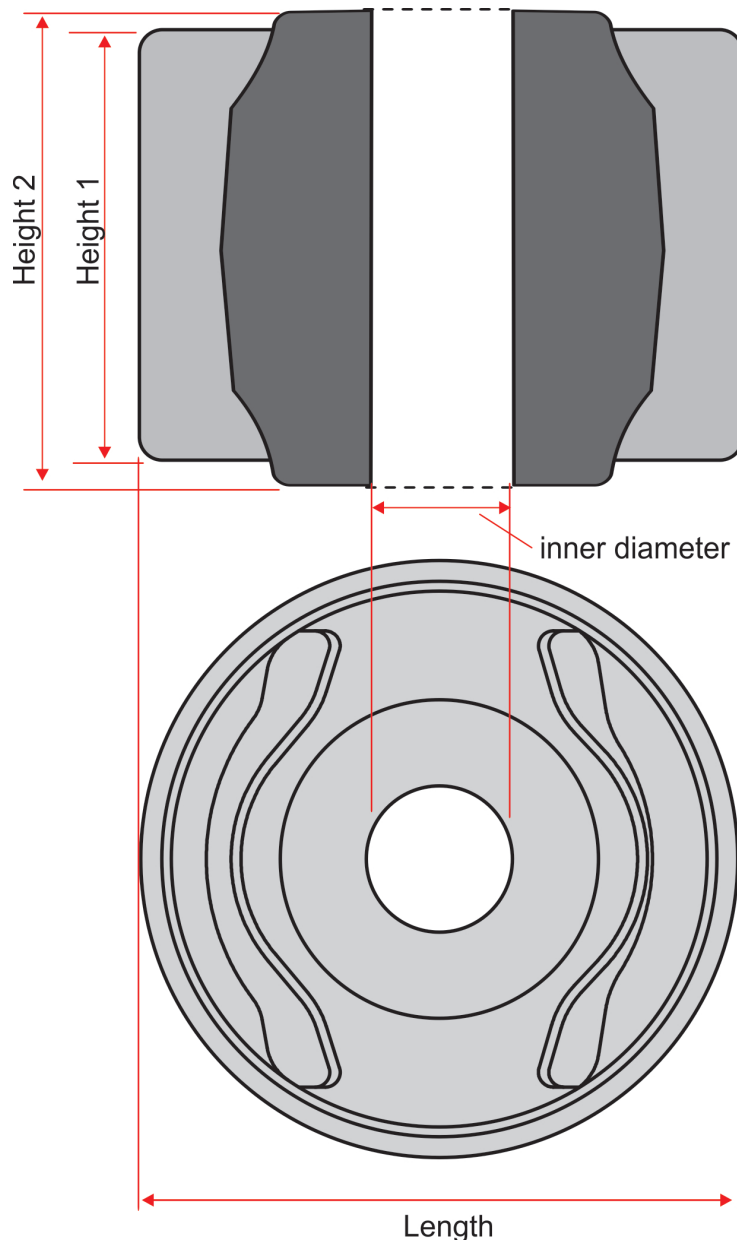
CONNECT

   /nakatauk
nakata.uk

NAKATA[®]
COUNT ON US

HOW OUR PARTS ARE MEASURED

CONTROL ARM BUSH (SMALL)



CONTACT

01302 727 312
info@nakata.uk

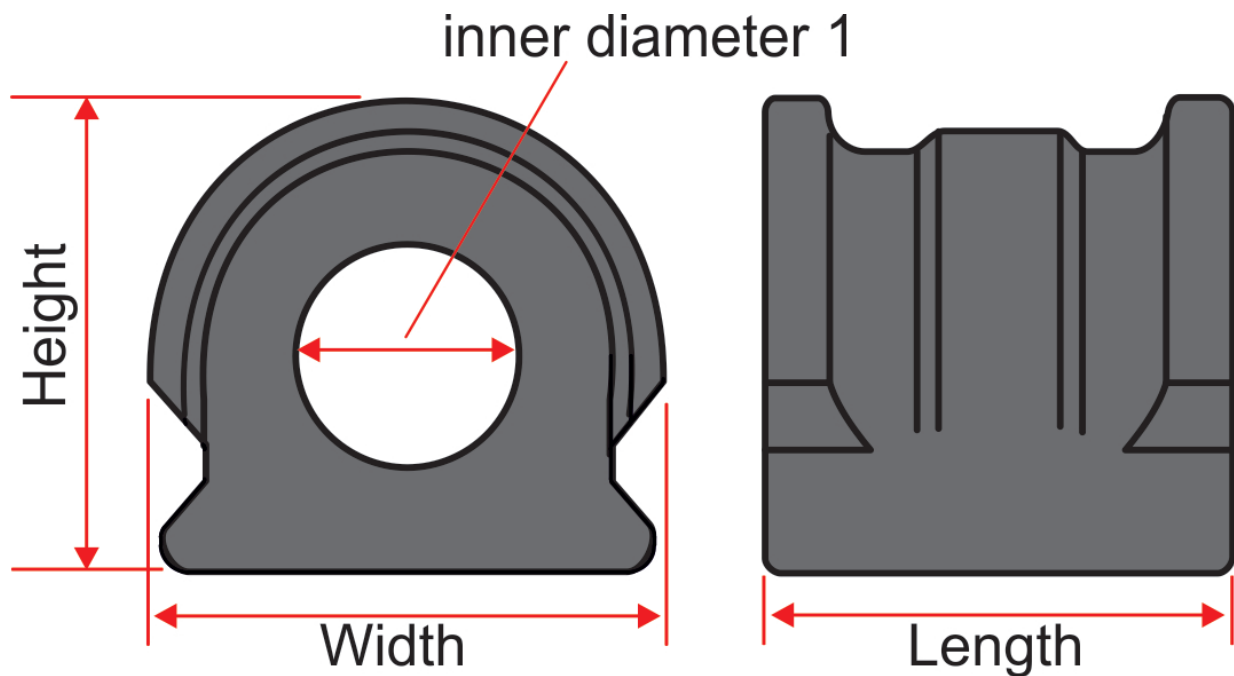
CONNECT

   /nakatauk
nakata.uk

NAKATA[®]
COUNT ON US

HOW OUR PARTS ARE MEASURED

STABILISER LINK BUSH



CONTACT

01302 727 312
info@nakata.uk

CONNECT

   /nakatauk
nakata.uk

NAKATA[®]
COUNT ON US